



Electronics Cooling Device Company
Passion to Your Needs

DC BLOWER



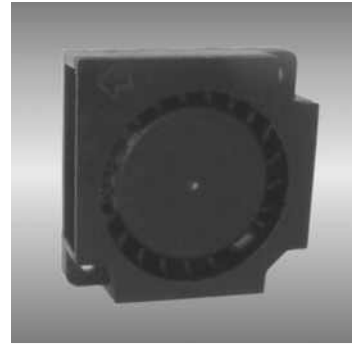
20

BGE series

20X20X06mm

●General Specification

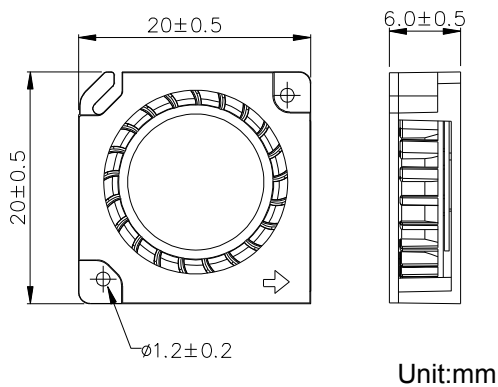
- Motor / DC single phase brushless motor
- Material / Frame : PBT (94V-0) ; Impeller : PBT(94V-0)
- Operation temp. / Two ball bearing : -10°C~70°C
FMB,sleeve Bearing : -10°C~50°C
- Storage temp. / -40°C~80°C
- Non-condensing environment
- Weight / 4g



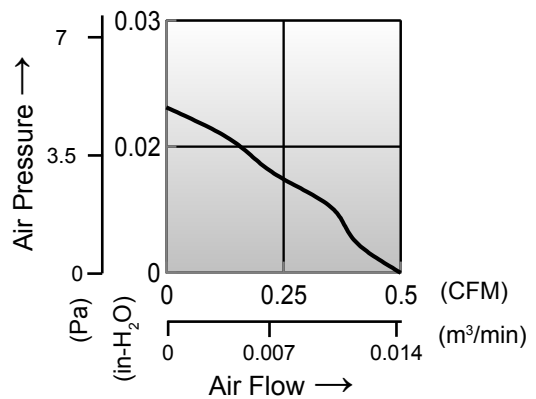
●Specification *Bearing system B:two ball bearing F:fluid bearing S:sleeve bearing

Model	Bearing System	Rated Voltage	Operating Voltage Range	Rated Current	Rated Speed	Maximum Air Flow	Maximum Static Pressure	Sound Level	P-Q Curve		
Part No.	B / S / F	V	V	A	RPM	m ³ /min	CFM	Pa	In-H ₂ O	dBA	No.
BGE02006F05H	F	5	4.5~5.5	0.02	5000	0.11	0.5	5.5	0.02	10	①

● Drawing



● Characteristic Curves



30

BGE series

30X30X04mm

●General Specification

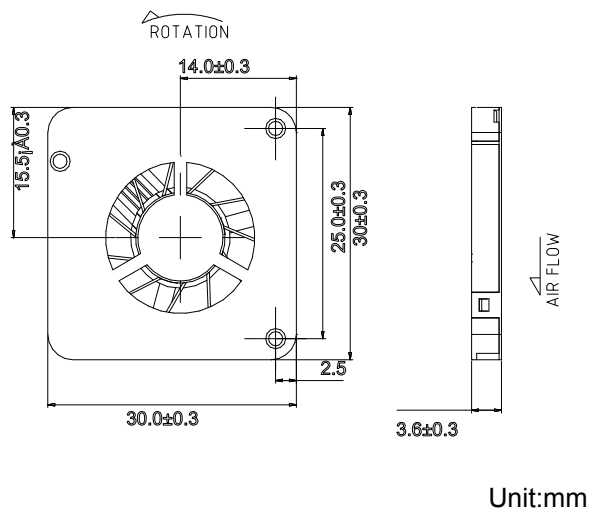
- Motor / DC single phase brushless motor
- Material / Frame : PBT (94V-0) ; Impeller : PBT(94V-0)
- Operation temp. / Two ball bearing : -10°C~70°C
FMB,sleeve Bearing : -10°C~50°C
- Storage temp. / -40°C~80°C
- Non-condensing environment
- Weight / 4g



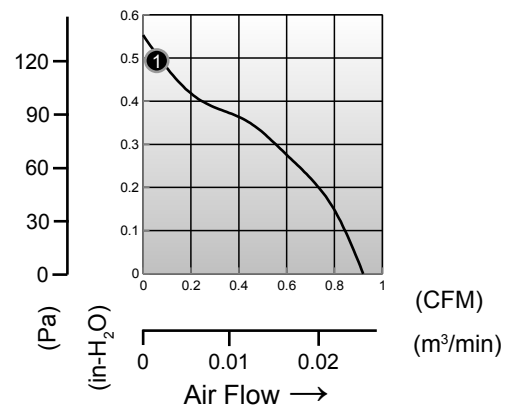
●Specification *Bearing system B:two ball bearing F:fluid bearing S:sleeve bearing

Model	Bearing System	Rated Voltage	Operating Voltage Range	Rated Current	Rated Speed	Maximum Air Flow	Maximum Static Pressure	Sound Level	P-Q Curve		
Part No.	B / S / F	V	V	A	RPM	m ³ /min	CFM	Pa	In-H ₂ O	dBA	No.
BGE03004F05H	F	5	4.5~5.5	0.08	11000	0.03	0.9	137.7	0.55	31	①

● Drawing



● Characteristic Curves



Air Pressure ↑

40

BGE series

40X40X20mm

●General Specification

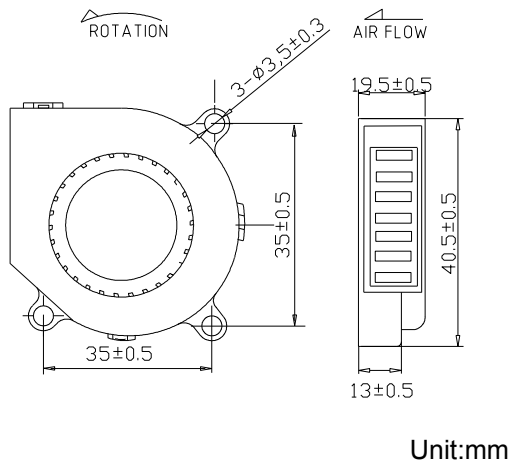
- Motor / DC single phase brushless motor
- Material / Frame : PBT (94V-0) ; Impeller : PBT(94V-0)
- Operation temp. / Two ball bearing : -10°C~70°C
FMB,sleeve Bearing : -10°C~50°C
- Storage temp. / -40°C~80°C
- Non-condensing environment
- Weight / 26g



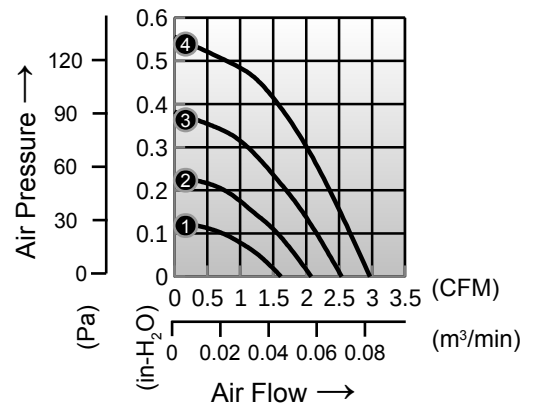
●Specification *Bearing system B:two ball bearing F:fluid bearing S:sleeve bearing

Model	Bearing System	Rated Voltage	Operating Voltage Range	Rated Current	Rated Speed	Maximum Air Flow		Maximum Static Pressure		Sound Level	P-Q Curve
Part No.	B / S / F	V	V	A	RPM	m ³ /min	CFM	Pa	In-H ₂ O	dBA	No.
BGE04020_05M	B/S	5	4.5~5.5	0.20	4500	0.09	2.1	58.0	0.23	33	②
BGE04020_05H	B/S	5	4.5~5.5	0.25	5500	0.11	2.5	95.3	0.38	37	③
BGE04020_12L	B/S	12	7.0~13.2	0.08	3500	0.07	1.6	31.7	0.13	27	①
BGE04020_12M	B/S	12	7.0~13.2	0.10	4500	0.09	2.1	58.0	0.23	33	②
BGE04020_12H	B/S	12	7.0~13.2	0.15	5500	0.11	2.5	95.3	0.38	37	③
BGE04020_12U	B/S	12	7.0~13.2	0.18	6500	0.12	3.0	138.5	0.56	45	④

● Drawing



● Characteristic Curves



50

BGE series

50X50X15mm

●General Specification

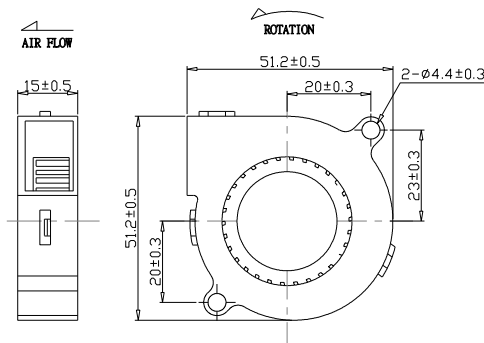
- Motor / DC single phase brushless motor
- Material / Frame : PBT (94V-0) ; Impeller : PBT(94V-0)
- Operation temp. / Two ball bearing : -10°C~70°C
FMB,sleeve Bearing : -10°C~50°C
- Storage temp. / -40°C~80°C
- Non-condensing environment
- Weight / 30g



●Specification *Bearing system B:two ball bearing F:fluid bearing S:sleeve bearing

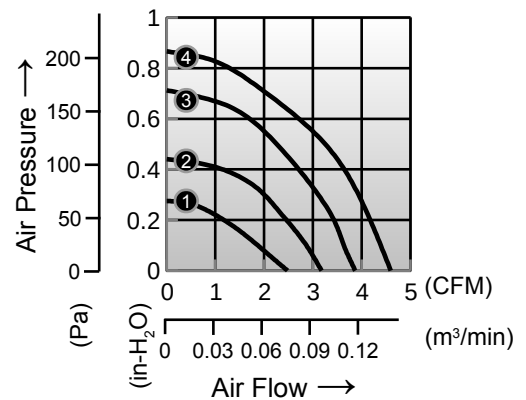
Model	Bearing System	Rated Voltage	Operating Voltage Range	Rated Current	Rated Speed	Maximum Air Flow	Maximum Static Pressure	Sound Level	P-Q Curve		
Part No.	B / S / F	V	V	A	RPM	m ³ /min	CFM	Pa	In-H ₂ O	dBA	No.
BGE05015_05L	B/S	5	4.5~5.5	0.09	3500	0.07	2.5	68.6	0.28	27	①
BGE05015_05M	B/S	5	4.5~5.5	0.12	4500	0.09	3.2	109.8	0.44	33	②
BGE05015_05H	B/S	5	4.5~5.5	0.18	5500	0.10	3.6	138.2	0.56	37	③
BGE05015_05U	B/S	5	4.5~5.5	0.18	6500	0.13	4.6	215.7	0.87	45	④
BGE05115_12L	B/S	12	7.0~13.2	0.06	3500	0.07	2.5	68.6	0.28	27	①
BGE05115_12M	B/S	12	7.0~13.2	0.07	4500	0.09	3.2	109.8	0.44	33	②
BGE05115_12H	B/S	12	7.0~13.2	0.09	5500	0.10	3.6	138.2	0.56	37	③
BGE05115_12U	B/S	12	7.0~13.2	0.15	6500	0.13	4.6	215.7	0.87	45	④
BGE05115_12V	B/S	12	7.0~13.2	0.15	7500	0.16	5.3	287.1	1.15	45	⑤
BGE05015_24M	B/S	24	14.0~26.4	0.05	4500	0.09	3.2	109.8	0.44	33	②
BGE05015_24H	B/S	24	14.0~26.4	0.07	5500	0.10	3.6	138.2	0.56	37	③
BGE05015_24U	B/S	24	14.0~26.4	0.12	6500	0.13	4.6	215.7	0.87	45	④

● Drawing



Unit:mm

● Characteristic Curves



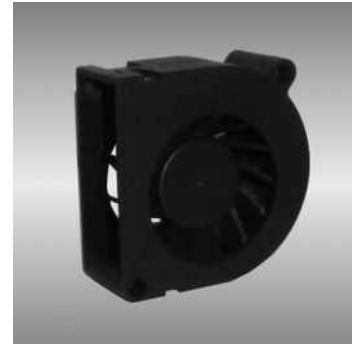
50

BGE series

50X50X20mm

●General Specification

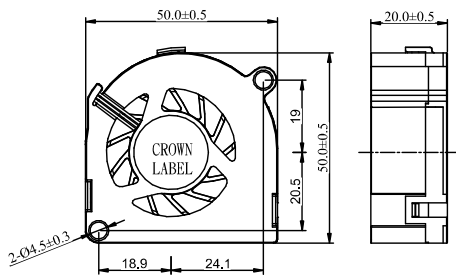
- Motor / DC single phase brushless motor
- Material / Frame : PBT (94V-0) ; Impeller : PBT(94V-0)
- Operation temp. / Two ball bearing : -10°C~70°C
FMB,sleeve Bearing : -10°C~50°C
- Storage temp. / -40°C~80°C
- Non-condensing environment
- Weight / 38g



●Specification *Bearing system B:two ball bearing F:fluid bearing S:sleeve bearing

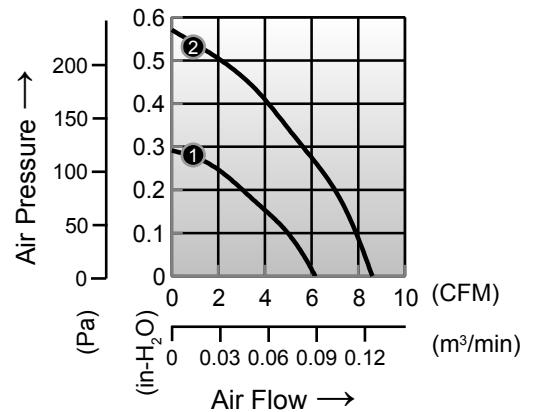
Model	Bearing System	Rated Voltage	Operating Voltage Range	Rated Current	Rated Speed	Maximum Air Flow		Maximum Static Pressure		Sound Level	P-Q Curve
Part No.	B / S / F	V	V	A	RPM	m ³ /min	CFM	Pa	In-H ₂ O	dBA	No.
BGE05020_05M	B	5	4.5~5.5	0.18	5000	0.17	6.1	72.5	0.29	33	①
BGE05020_12M	B	12	7.0~13.2	0.08	5000	0.17	6.1	72.5	0.29	33	①
BGE05020_12H	B	12	7.0~13.2	0.21	7000	0.23	8.0	142.1	0.57	50	②

● Drawing



Unit:mm

● Characteristic Curves



55

BGE series

55X62X12mm

General Specification

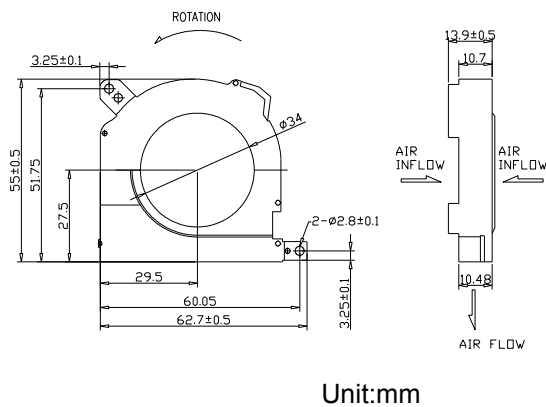
- Motor / DC single phase brushless motor
- Material / Frame : PBT (94V-0) ; Impeller : PBT(94V-0)
- Operation temp. / Two ball bearing : -10°C~70°C
FMB,sleeve Bearing : -10°C~50°C
- Storage temp. / -40°C~80°C
- Non-condensing environment
- Weight / 35g



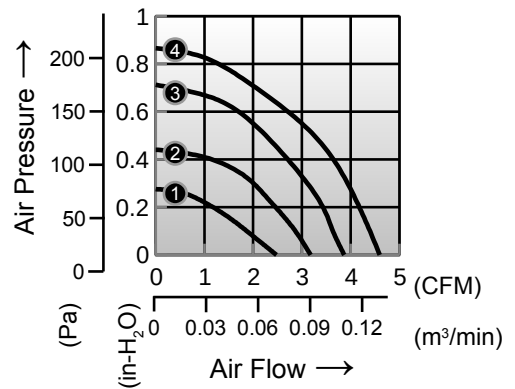
Specification *Bearing system B:two ball bearing F:fluid bearing S:sleeve bearing

Model	Bearing System	Rated Voltage	Operating Voltage Range	Rated Current	Rated Speed	Maximum Air Flow	Maximum Static Pressure	Sound Level	P-Q Curve		
Part No.	B / S / F	V	V	A	RPM	m ³ /min	CFM	Pa	In-H ₂ O	dBA	No.
BGE05512_05L	B	5	4.5~5.5	0.27	3500	0.10	3.5	82.2	0.33	27	①
BGE05512_05M	B	5	4.5~5.5	0.33	4000	0.12	4.2	102.1	0.41	30	②
BGE05512_05H	B	5	4.5~5.5	0.40	4900	0.14	5.1	139.4	0.56	33	③
BGE05512_12L	B	12	7.0~13.2	0.16	3500	0.10	3.5	82.2	0.33	27	①
BGE05512_12M	B	12	7.0~13.2	0.23	4000	0.12	4.2	102.1	0.41	30	②
BGE05512_12H	B	12	7.0~13.2	0.33	4900	0.14	5.1	139.4	0.56	33	③

Drawing



Characteristic Curves



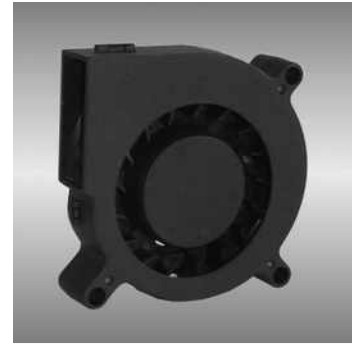
60

BGE series

60X60X15mm

●General Specification

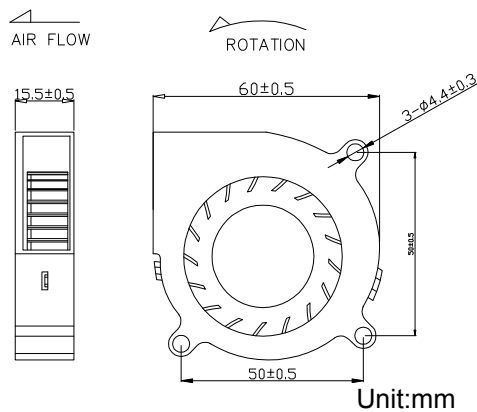
- Motor / DC single phase brushless motor
- Material / Frame : PBT (94V-0) ; Impeller : PBT(94V-0)
- Operation temp. / Two ball bearing : -10°C~70°C
FMB,sleeve Bearing : -10°C~50°C
- Storage temp. / -40°C~80°C
- Non-condensing environment
- Weight / 40g



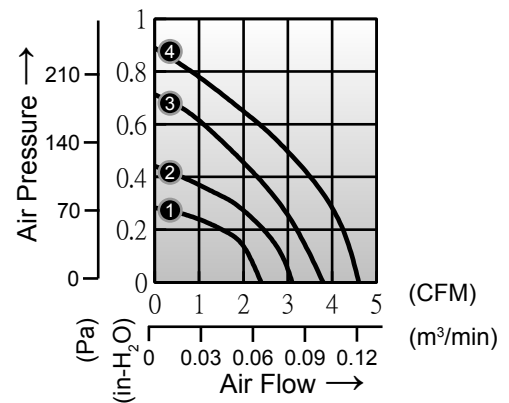
●Specification *Bearing system B:two ball bearing F:fluid bearing S:sleeve bearing

Model	Bearing System	Rated Voltage	Operating Voltage Range	Rated Current	Rated Speed	Maximum Air Flow	Maximum Static Pressure	Sound Level	P-Q Curve		
Part No.	B / S / F	V	V	A	RPM	m ³ /min	CFM	Pa	In-H ₂ O	dBA	No.
BGE06015_12L	B	12	7.0~13.2	0.07	3500	0.07	2.4	70.6	0.28	27	①
BGE06015_12M	B	12	7.0~13.2	0.09	4500	0.09	3.1	109.8	0.44	33	②
BGE06015_12H	B	12	7.0~13.2	0.11	5500	0.20	3.8	177.4	0.71	37	③
BGE06015_12U	B	12	7.0~13.2	0.13	6500	0.32	4.6	221.6	0.89	45	④

● Drawing



● Characteristic Curves



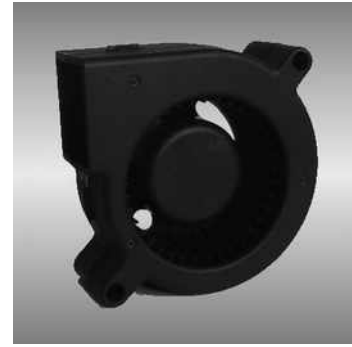
60

BGE series

60X60X25mm

●General Specification

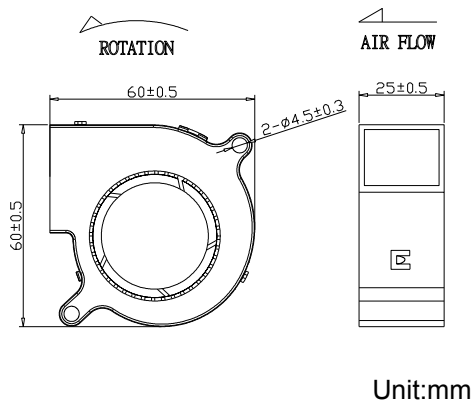
- Motor / DC single phase brushless motor
- Material / Frame : PBT (94V-0) ; Impeller : PBT(94V-0)
- Operation temp. / Two ball bearing : -10°C~70°C
FMB,sleeve Bearing : -10°C~50°C
- Storage temp. / -40°C~80°C
- Non-condensing environment
- Weight / 55g



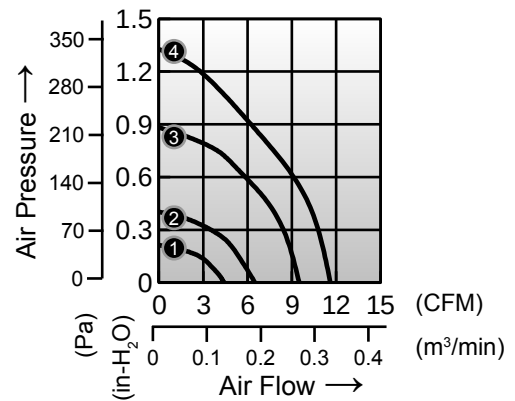
●Specification *Bearing system B:two ball bearing F:fluid bearing S:sleeve bearing

Model	Bearing System	Rated Voltage	Operating Voltage Range	Rated Current	Rated Speed	Maximum Air Flow		Maximum Static Pressure		Sound Level	P-Q Curve
Part No.	B / S / F	V	V	A	RPM	m ³ /min	CFM	Pa	In-H ₂ O	dBA	No.
BGE06025_12I	B/F	12	7.0~13.2	0.10	2500	0.16	5.6	52.9	0.21	24	①
BGE06025_12L	B/F	12	7.0~13.2	0.25	3500	0.20	7.2	100.0	0.40	27	②
BGE06025_12M	B/F	12	7.0~13.2	0.40	4500	0.30	10.5	187.7	0.75	41	③
BGE06025_12H	B/F	12	7.0~13.2	0.50	5500	0.36	12.8	282.5	1.13	47	④

● Drawing



● Characteristic Curves



75

BGE series

75X75X15mm

● General Specification

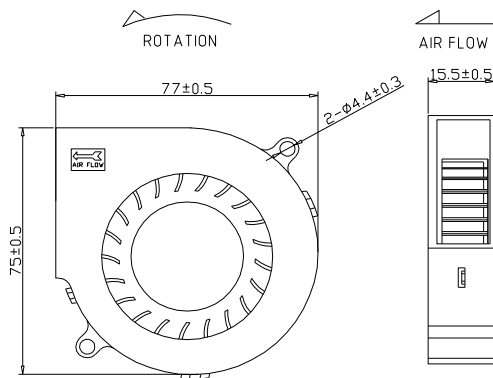
- Motor / DC single phase brushless motor
- Material / Frame : PBT (94V-0) ; Impeller : PBT(94V-0)
- Operation temp. / Two ball bearing : -10°C~70°C
FMB,sleeve Bearing : -10°C~50°C
- Storage temp. / -40°C~80°C
- Non-condensing environment
- Weight /85g



● Specification *Bearing system B:two ball bearing F:fluid bearing S:sleeve bearing

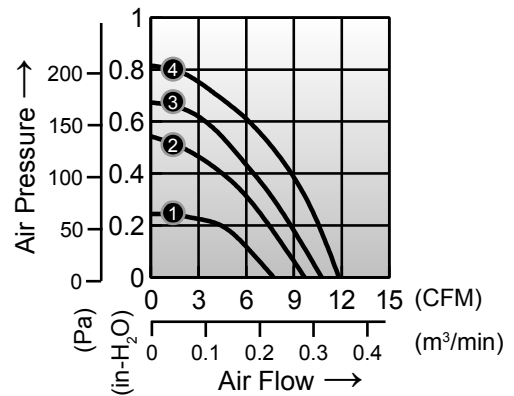
Model	Bearing System	Rated Voltage	Operating Voltage Range	Rated Current	Rated Speed	Maximum Air Flow		Maximum Static Pressure		Sound Level	P-Q Curve
Part No.	B / S / F	V	V	A	RPM	m ³ /min	CFM	Pa	In-H ₂ O	dBA	No.
BGE07015_12L	B	12	7.0~13.2	0.21	4000	0.21	7.4	60.8	0.24	43	①
BGE07015_12M	B	12	7.0~13.2	0.32	4500	0.27	9.7	135.3	0.54	47	②
BGE07015_12H	B	12	7.0~13.2	0.40	5000	0.31	10.8	167.6	0.67	49	③
BGE07015_12U	B	12	7.0~13.2	0.50	5500	0.34	11.9	202.9	0.81	51	④

● Drawing



Unit:mm

● Characteristic Curves



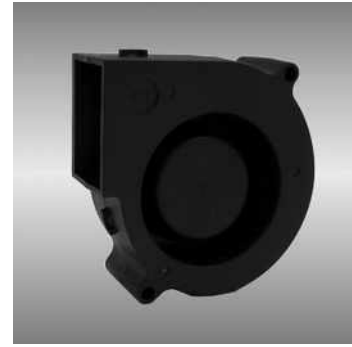
75

BGE series

75X75X30mm

● General Specification

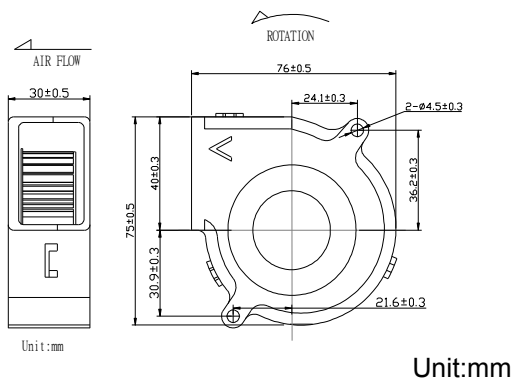
- Motor / DC single phase brushless motor
- Material / Frame : PBT (94V-0) ; Impeller : PBT(94V-0)
- Operation temp. / Two ball bearing : -10°C~70°C
FMB,sleeve Bearing : -10°C~50°C
- Storage temp. / -40°C~80°C
- Non-condensing environment
- Weight / 100g



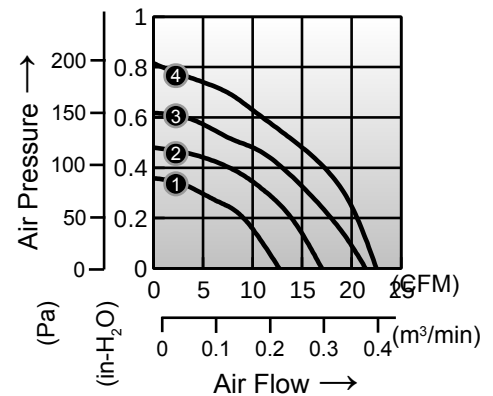
● Specification *Bearing system B:two ball bearing F:fluid bearing S:sleeve bearing

Model	Bearing System	Rated Voltage	Operating Voltage Range	Rated Current	Rated Speed	Maximum Air Flow	Maximum Static Pressure	Sound Level	P-Q Curve		
Part No.	B / S / F	V	V	A	RPM	m ³ /min	CFM	Pa	In-H ₂ O	dBA	No.
BGE07530_12J	B/F	12	7.0~13.2	0.24	2600	0.31	10.9	77.2	0.31	32	①
BGE07530_12L	B/F	12	7.0~13.2	0.30	3000	0.36	12.7	89.6	0.36	41	②
BGE07530_12M	B/F	12	7.0~13.2	0.38	3600	0.48	17.0	119.5	0.48	48	③
BGE07530_12H	B/F	12	7.0~13.2	0.45	4000	0.60	21.4	154.4	0.62	51	④
BGE07530_24J	B/F	24	14.0~26.4	0.13	2600	0.31	10.9	77.2	0.31	32	①
BGE07530_24L	B/F	24	14.0~26.4	0.16	3000	0.36	12.7	89.6	0.36	41	②
BGE07530_24M	B/F	24	14.0~26.4	0.22	3600	0.48	17.0	119.5	0.48	48	③
BGE07530_24H	B/F	24	14.0~26.4	0.26	4000	0.60	21.4	154.4	0.62	51	④

● Drawing



● Characteristic Curves



97

BGE series

97X97X33mm

General Specification

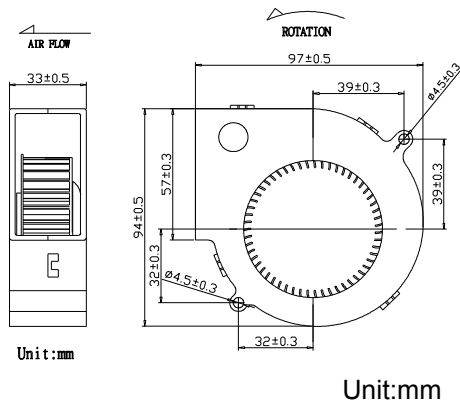
- Motor / DC single phase brushless motor
- Material / Frame : PBT (94V-0) ; Impeller : PBT(94V-0)
- Operation temp. / Two ball bearing : -10°C~70°C
FMB,sleeve Bearing : -10°C~50°C
- Storage temp. / -40°C~80°C
- Non-condensing environment
- Weight / 150g



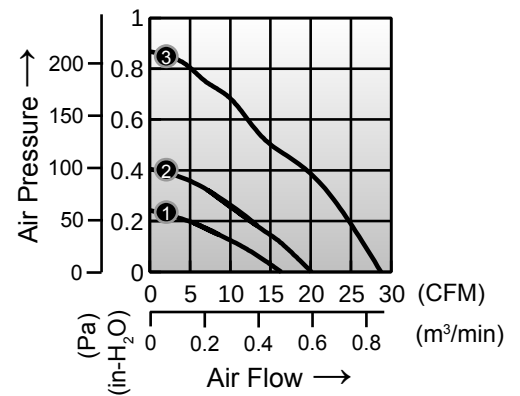
Specification *Bearing system B:two ball bearing F:fluid bearing S:sleeve bearing

Model	Bearing System	Rated Voltage	Operating Voltage Range	Rated Current	Rated Speed	Maximum Air Flow	Maximum Static Pressure	Sound Level	P-Q Curve		
Part No.	B / S / F	V	V	A	RPM	m³/min	CFM	Pa	In-H ₂ O	dBA	No.
BGE09733_12L	B/S	12	7.0~13.2	0.21	2200	0.46	16.3	59.8	0.24	43	①
BGE09733_12M	B/S	12	7.0~13.2	0.32	2700	0.57	20.1	99.6	0.40	45	②
BGE09733_12H	B/S	12	7.0~13.2	0.60	3600	0.62	28.8	283.9	1.14	52	③
BGE09733_24L	B/S	24	14.0~26.4	0.14	2200	0.46	16.3	59.8	0.24	43	①
BGE09733_24M	B/S	24	14.0~26.4	0.18	2700	0.57	20.1	99.6	0.40	45	②
BGE09733_24H	B/S	24	14.0~26.4	0.32	3600	0.62	28.8	283.9	1.14	52	③

Drawing



Characteristic Curves



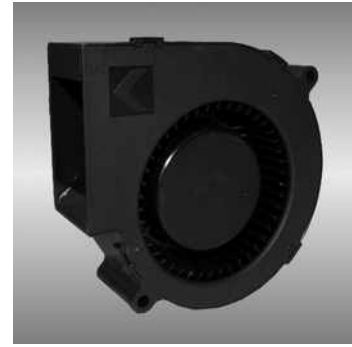
97

BGF series

97X97X33mm

●General Specification

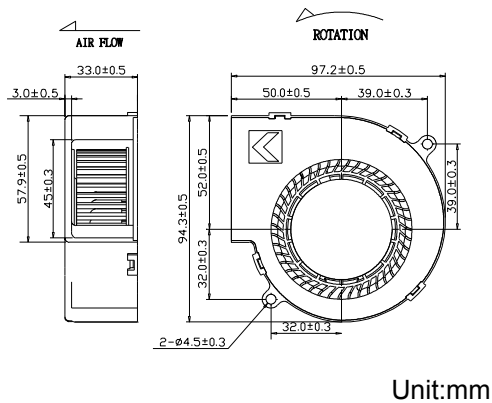
- Motor / DC single phase brushless motor
- Material / Frame : PBT (94V-0) ; Impeller : PBT(94V-0)
- Operation temp. / Two ball bearing : -10°C~70°C
FMB,sleeve Bearing : -10°C~50°C
- Storage temp. / -40°C~80°C
- Non-condensing environment
- Weight / 180g



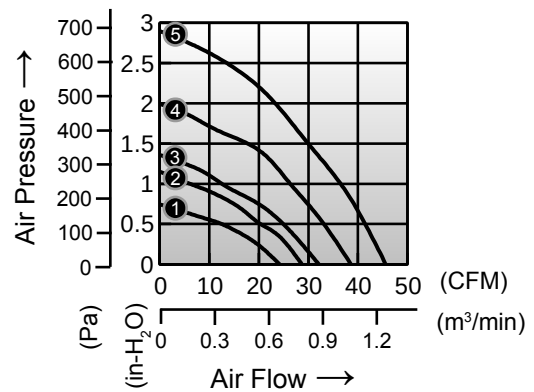
●Specification *Bearing system B:two ball bearing F:fluid bearing S:sleeve bearing

Model	Bearing System	Rated Voltage	Operating Voltage Range	Rated Current	Rated Speed	Maximum Air Flow	Maximum Static Pressure	Sound Level	P-Q Curve		
Part No.	B / S / F	V	V	A	RPM	m³/min	CFM	Pa	In-H ₂ O	dBA	No.
BGF09733_12L	B	12	7.0~13.2	0.38	2700	0.69	24.2	185.5	0.75	48	①
BGF09733_12M	B	12	7.0~13.2	0.66	3200	0.82	28.7	286.1	1.15	52	②
BGF09733_12H	B	12	7.0~13.2	0.88	3600	0.91	32.1	337.6	1.36	55	③
BGF09733_12U	B	12	7.0~13.2	1.55	4200	1.09	38.6	496.0	1.99	59	④
BGF09733_12V	B	12	7.0~13.2	1.90	5000	1.29	45.6	722.1	2.90	63	⑤

● Drawing



● Characteristic Curves



120 BGF series

120X120X32mm

● General Specification

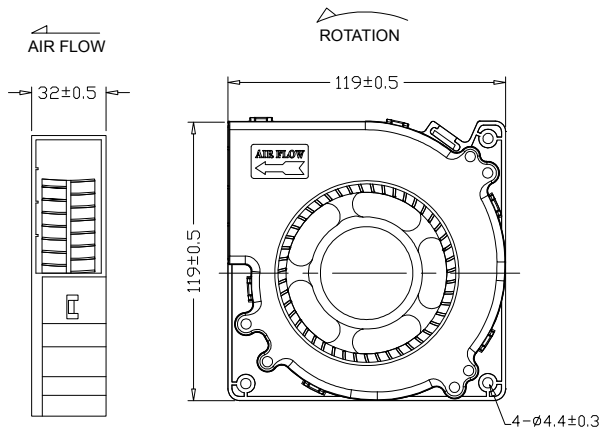
- Motor / DC single phase brushless motor
- Material / Frame : PBT (94V-0) ; Impeller : PBT(94V-0)
- Operation temp. / Two ball bearing : -10°C~70°C
FMB,sleeve Bearing : -10°C~50°C
- Storage temp. / -40°C~80°C
- Non-condensing environment
- Weight / 230g



● Specification *Bearing system B:two ball bearing F:fluid bearing S:sleeve bearing

Model	Bearing System	Rated Voltage	Operating Voltage Range	Rated Current	Rated Speed	Maximum Air Flow	Maximum Static Pressure	Sound Level	P-Q Curve		
Part No.	B / S / F	V	V	A	RPM	m ³ /min	CFM	Pa	In-H ₂ O	dBA	No.
BGE12032_12L	B	12	7.0~13.2	0.40	2100	0.70	24.6	139.4	0.56	45	①
BGE12032_12M	B	12	7.0~13.2	0.58	2500	0.82	28.8	206.7	0.83	47	②
BGE12032_12H	B	12	7.0~13.2	1.11	2800	0.91	32.1	263.9	1.06	49	③
BGE12032_12U	B	12	7.0~13.2	1.25	3100	1.06	37.5	321.2	1.29	52	④

● Drawing



Unit:mm

● Characteristic Curves

