



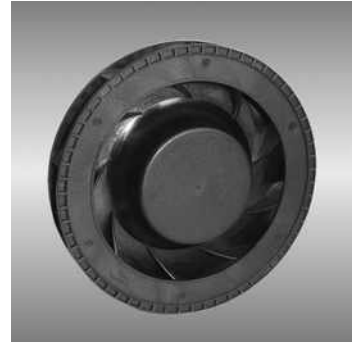
Electronics Cooling Device Company
Passion to Your Needs

DC Motorized Impeller



105 BG series

Ø105X25mm



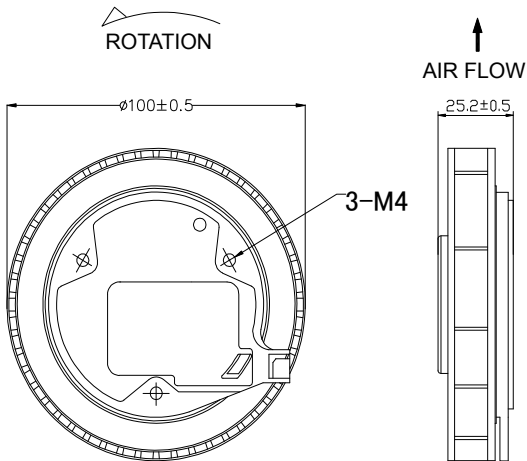
● General Specification

- Motor / DC brushless motor
- Material / Frame : plastic(94V-0) ; Impeller : plastic(94V-0)
- Operation temp. / -10°C~70°C ; Storage temp. / -40°C~80°C
- Bearing / Two ball precision bearing
- Insulator class "B"
- Weight / 0.13kg

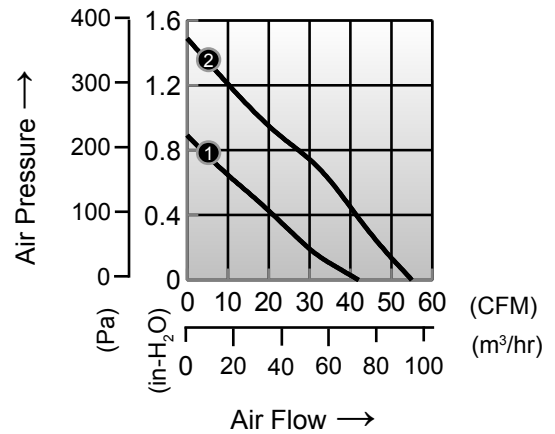
● Specification

Model	Bearing System	Rated Voltage	Rated Current	Rated Speed	Maximum Air Flow		Maximum Static Pressure		Sound Level	P-Q Curve
Part No.	B / S / F	V	A	RPM	m³/hr	CFM	Pa	In-H ₂ O	dBA	No.
BGN10525B12H	B	12	0.5	4300	71	42	222	0.89	53	①
BGN10525B12U	B	12	1.1	5300	93	55	371	1.49	58	②

● Drawing

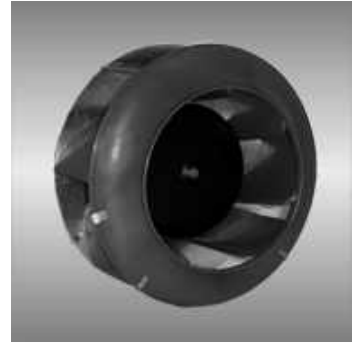


● Characteristic Curves



133 BG series

Ø133X91mm



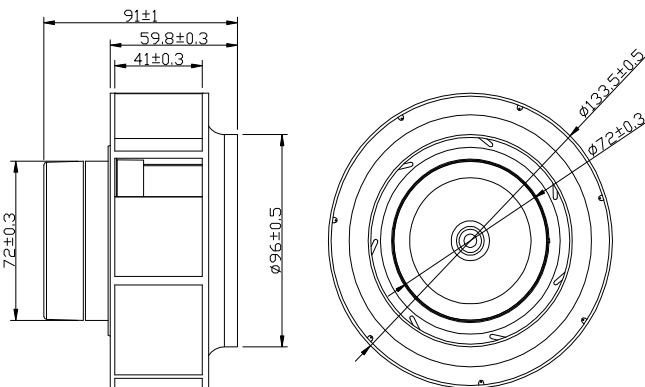
● General Specification

- Motor / DC brushless motor
- Material / Frame : die cast aluminum ; Impeller : plastic(94V-0)
- Rotational direction CW view from front face
- Bearing / Two ball precision bearing
- Insulator class "B"
- Weight / 0.7kg

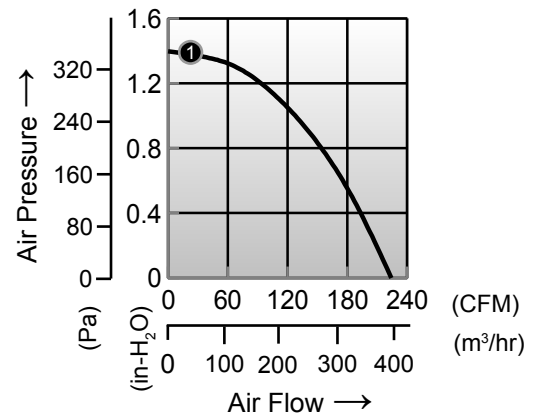
● Specification

Model	Bearing System	Rated Voltage	Rated Current	Rated Speed	Maximum Air Flow		Maximum Static Pressure		Sound Level	P-Q Curve
Part No.	B / S / F	V	A	RPM	m ³ /hr	CFM	Pa	In-H ₂ O	dBA	No.
BGN13391B24U	B	24	1.6	4000	380	224	348	1.40	65	①
BGN13391B48U	B	48	0.8	4000	380	224	348	1.40	65	①

● Drawing



● Characteristic Curves



175 BG series

Ø175X68.5mm



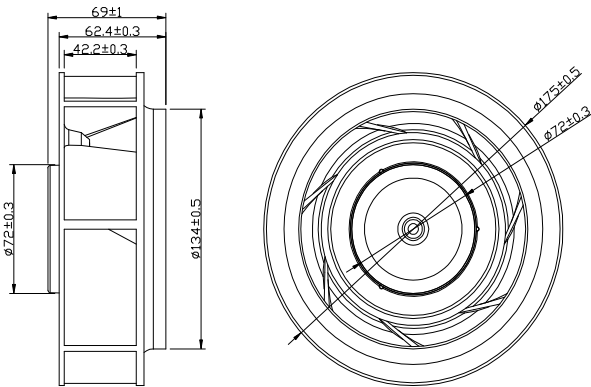
● General Specification

- Motor / DC brushless motor
- Material / Frame : die cast aluminum ; Impeller : plastic(94V-0)
- Rotational direction CW view from front face
- Bearing / Two ball precision bearing
- Insulator class "B"
- Weight / 0.7kg

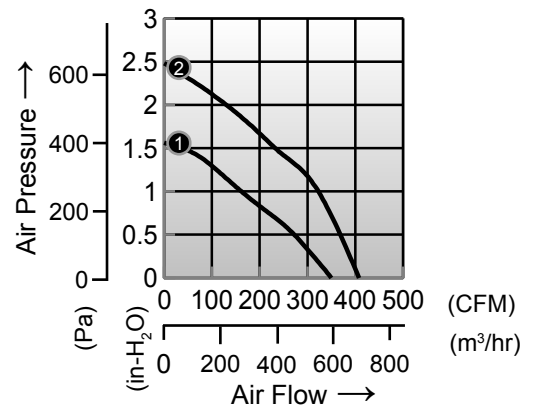
● Specification

Model	Bearing System	Rated Voltage	Rated Current	Rated Speed	Maximum Air Flow		Maximum Static Pressure		Sound Level	P-Q Curve
Part No.	B / S / F	V	A	RPM	m ³ /hr	CFM	Pa	In-H ₂ O	dBA	No.
BGN17569B24H	B	24	1.5	3300	594	350	389	1.56	67	①
BGN17569B48H	B	48	1.2	3300	594	350	389	1.56	67	①
BGN17569B48U	B	48	1.2	4200	693	408	618	2.48	72	②

● Drawing



● Characteristic Curves



190 BG series

Ø190X68.5mm



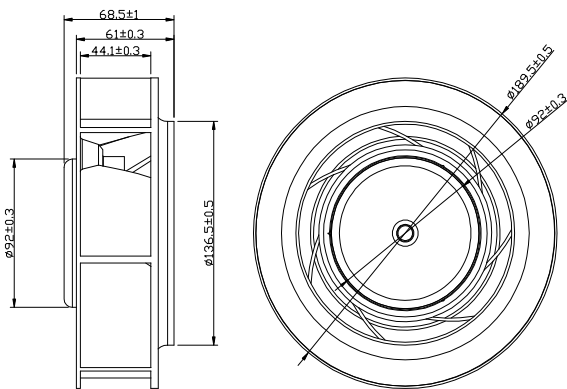
● General Specification

- Motor / DC three-phase brushless motor
- Material / Frame : die cast aluminum ; Impeller : plastic(94V-0)
- Rotational direction CW view from front face
- Bearing / Two ball precision bearing
- Insulator class "B"
- Weight / 1.0kg(BGN); 1.3kg(BGM)

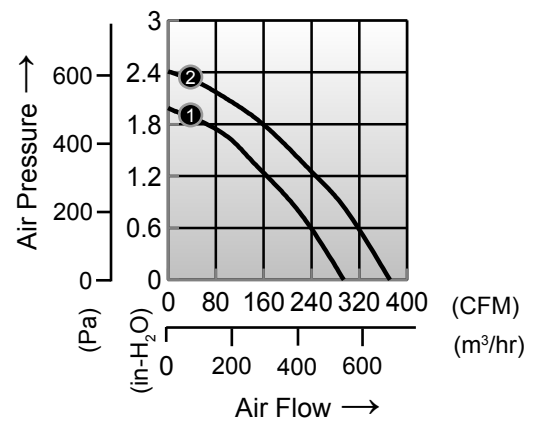
● Specification

Model	Bearing System	Rated Voltage	Rated Current	Rated Speed	Maximum Air Flow		Maximum Static Pressure		Sound Level	P-Q Curve
Part No.	B / S / F	V	A	RPM	m ³ /hr	CFM	Pa	In-H ₂ O	dBA	No.
BGN19069B24U-72	B	24	3.5	3000	630	371	495	1.99	68	①
BGN19069B48U-72	B	48	1.8	3000	630	371	495	1.99	68	①
BGM19069B24U-92	B	24	3.5	3000	500	294	600	2.41	73	②
BGM19069B48U-92	B	48	1.8	3000	500	294	600	2.41	73	②

● Drawing



● Characteristic Curves



220 BG series

Ø220X71mm



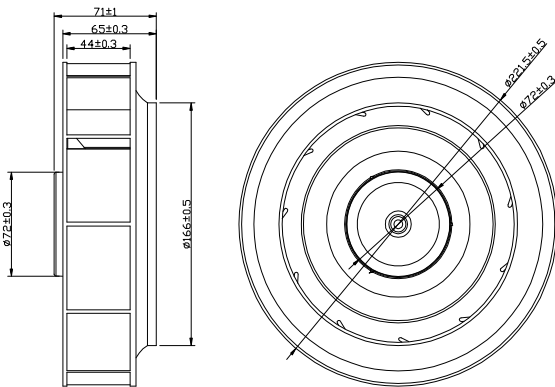
● General Specification

- Motor / DC three-phase brushless motor
- Material / Frame : die cast aluminum ; Impeller : plastic(94V-0)
- Rotational direction CW view from front face
- Bearing / Two ball precision bearing
- Insulator class "B"
- Weight / 1.1kg(BGN); 1.4kg(BGM)

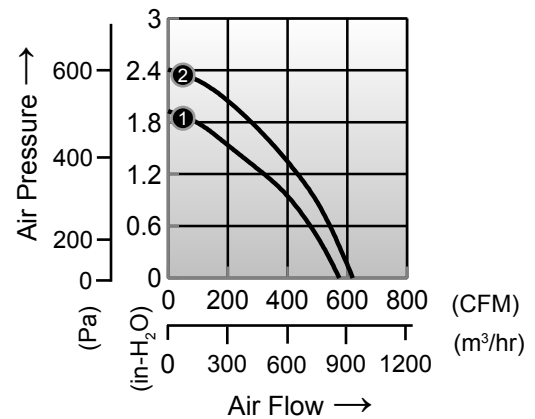
● Specification

Model	Bearing System	Rated Voltage	Rated Current	Rated Speed	Maximum Air Flow		Maximum Static Pressure		Sound Level	P-Q Curve
Part No.	B / S / F	V	A	RPM	m ³ /hr	CFM	Pa	In-H ₂ O	dBA	No.
BGN22071B24H-72	B	24	4.5	2800	974	573	480	1.93	65	①
BGN22071B48H-72	B	48	2.3	2800	974	573	480	1.93	65	①
BGM22071B24H-92	B	24	4.5	3150	1050	618	600	2.41	73	②
BGM22071B48H-92	B	48	2.3	3150	1050	618	600	2.41	73	②

● Drawing



● Characteristic Curves



225 BG series

Ø220X99mm



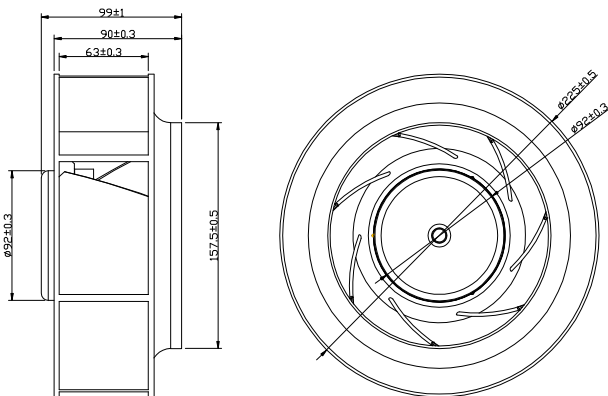
● General Specification

- Motor / DC three-phase brushless motor
- Material / Frame : die cast aluminum ; Impeller : plastic(94V-0)
- Rotational direction CW view from front face
- Bearing / Two ball precision bearing
- Insulator class "B"
- Weight / 1.5kg

● Specification

Model	Bearing System	Rated Voltage	Rated Current	Rated Speed	Maximum Air Flow		Maximum Static Pressure		Sound Level	P-Q Curve
Part No.	B / S / F	V	A	RPM	m ³ /hr	CFM	Pa	In-H ₂ O	dBA	No.
BGN22599B24M	B	24	4.5	2700	1160	683	530	2.13	67	①
BGN22599B48H	B	48	2.3	2700	1160	683	530	2.13	67	①

● Drawing



● Characteristic Curves

