

**CROWN**

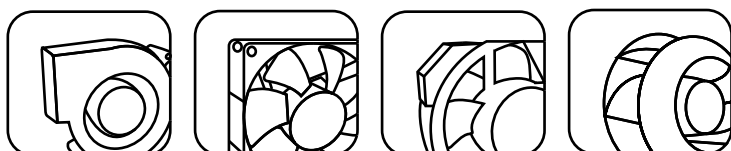
*electroincs*

# CROWN AC CROSS FAN CATALOG

## ● PRODUCT CATALOGUE



**Electronics Cooling Device Company**



**Ver.03**

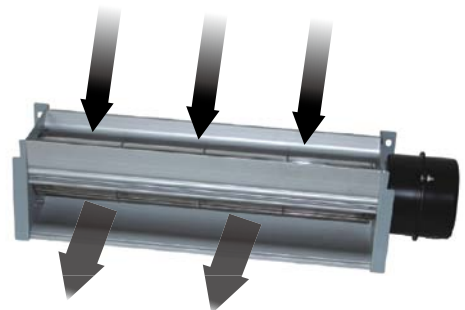
# CROWN

## AC Cross Flow Fan

Frame size	Air flow (CFM)	10	20	30	40	50	60	70	80	90	100	125	150	200	250	
E30 <sub>F</sub>			[Bar]			[Fan]										
E40 <sub>F</sub>				[Bar]					[Fan]							
E43 <sub>P</sub>				[Bar]						[Fan]						
E48 <sub>U</sub>				[Bar]							[Fan]					
E50 <sub>F</sub>				[Bar]								[Fan]				
E50 <sub>P</sub>				[Bar]									[Fan]			
E60 <sub>F</sub>					[Fan]	[Bar]										
E60 <sub>U</sub>				[Fan]	[Bar]											
C60 <sub>L</sub>												[Fan]	[Bar]			
C60 <sub>F</sub>												[Fan]	[Bar]			
E65 <sub>U</sub>						[Fan]	[Bar]									

### Application

- Air curtain
- Air condition
- CNC machine
- Transportation system



# E30 F series

108mm~310mm

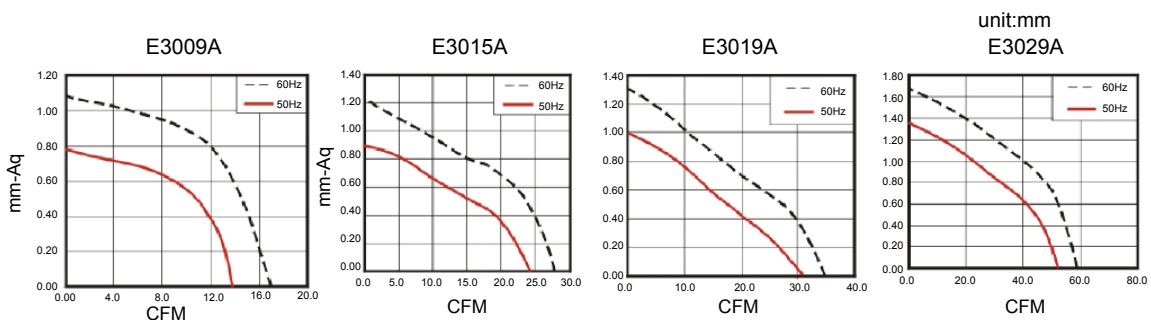
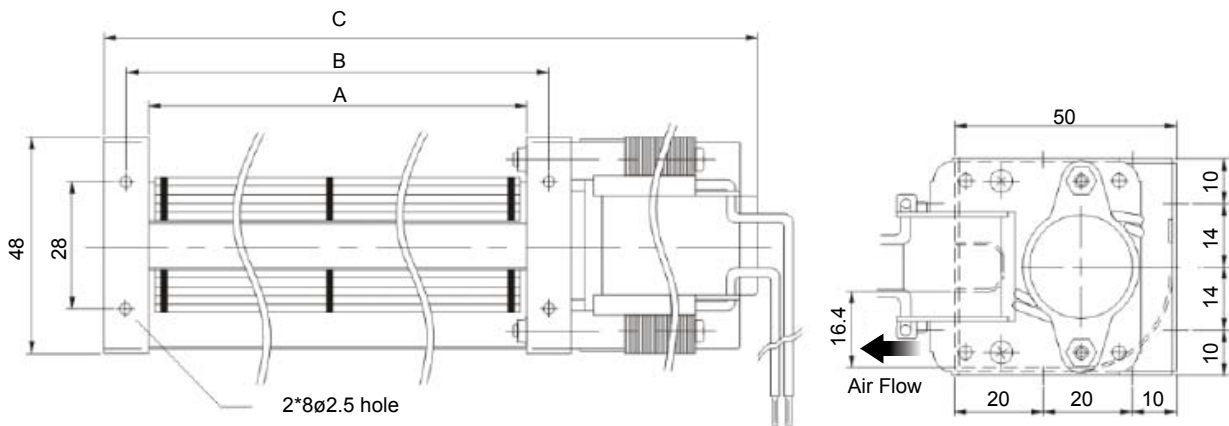
## General Specifications

- Motor : Shaded pole AC motor
- Frame & Impeller : Metal
- Storage temperature : -40° to +75°
- Operating temperature : -10° to +65°



## Major Characteristic Parameters

Model	Size(mm)			Rated Voltage	Rated Frequency	Rated Current	Input Power	Rated Speed	Maximum Air Flow		Maximum Static Pressure		Sound Level	Weight
Part NO.	A	B	C	V	Hz	A	W	RPM	m <sup>3</sup> /min	CFM	mm-Aq	In-H <sub>2</sub> O	dBA	g
CE30090A11	98	108	154	110	60	0.08	7	3200	0.4	14.13	1.1	0.043	32	390
CE30090A22	98	108	154	220	50	0.06	8.5	2700	0.3	10.60	0.8	0.031	30	390
CE30150A11	160	170	222	110	60	0.11	8.5	3200	0.8	28.26	1.2	0.047	35	520
CE30150A22	160	170	222	220	50	0.07	10.5	2700	0.6	21.20	0.9	0.035	32	520
CE30190A11	198	208	260	110	60	0.11	9	3150	0.9	31.80	1.4	0.055	36	540
CE30190A22	198	208	260	220	50	0.07	11	2700	0.8	28.26	1.0	0.039	32	540
CE30290A11	300	310	366	110	60	0.17	13.5	3150	1.6	56.53	1.6	0.062	37	670
CE30290A22	300	310	366	220	50	0.08	12.5	2700	1.4	49.46	1.1	0.043	34	670



# E40 F series

108mm~430mm

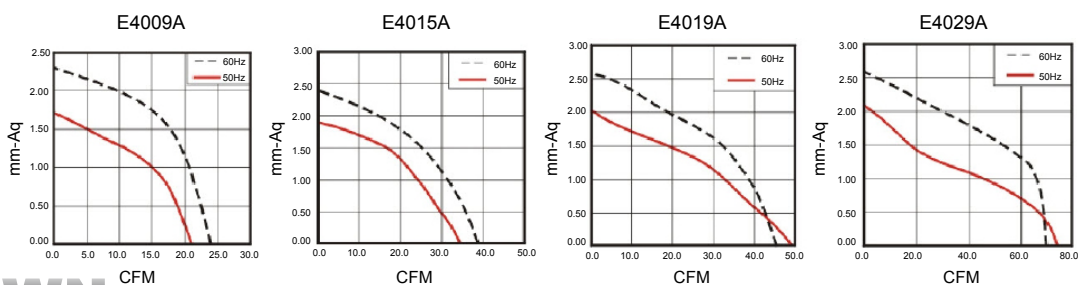
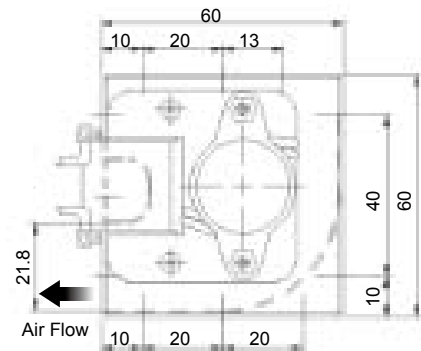
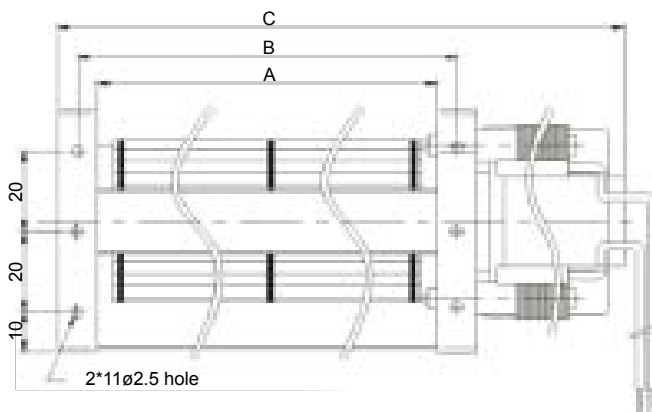
## General Specifications

- Motor : Shaded pole AC motor
- Frame & Impeller : Metal
- Storage temperature : -40° to +75°
- Operating temperature : -10° to +65°



## Major Characteristic Parameters

Model	Size(mm)			Rated Voltage	Rated Frequency	Rated Current	Input Power	Rated Speed	Maximum Air Flow		Maximum Static Pressure		Sound Level	Weight
Part NO.	A	B	C	V	Hz	A	W	RPM	m <sup>3</sup> /min	CFM	mm-Aq	In-H <sub>2</sub> O	dBA	g
CE40090A11	98	108	134	110	60	0.11	9	3150	1.0	35.33	2.5	88.33	38	520
CE40090A22	98	108	134	220	50	0.07	11	2700	0.8	28.26	1.8	63.60	36	520
CE40150A11	160	170	196	110	60	0.12	10	2800	1.4	49.46	2.7	95.40	38	570
CE40150A22	160	170	196	220	50	0.07	11	2600	1.2	42.40	1.9	67.13	36	570
CE40190A11	198	208	234	110	60	0.12	11	2350	1.4	49.46	2.8	98.93	35	590
CE40190A22	198	208	234	220	50	0.07	12	2550	1.4	49.46	2.0	70.67	36	590
CE40290A11	300	310	356	110	60	0.21	16	2200	2.1	74.20	2.9	102.47	36	720
CE40290A22	300	310	356	220	50	0.09	14	2400	2.4	84.80	2.1	74.20	38	720
CE40350A11	348	370	416	110	60	0.13	13	2000	2.2	77.73	3.0	106.0	41	790
CE40350A22	348	370	416	220	50	0.11	14	2200	2.6	91.87	2.4	84.80	42	790
CE40420A11	420	430	494	110	60	0.11	14	1800	2.4	84.80	3.2	113.07	43	820
CE40420A22	420	430	494	220	50	0.11	15	1800	2.4	84.80	2.6	91.87	44	820



# E43 P series

108mm~370mm

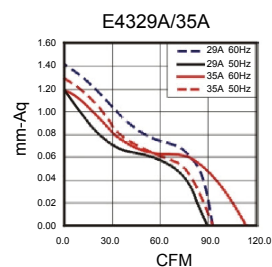
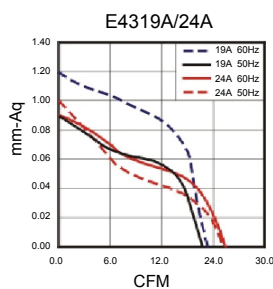
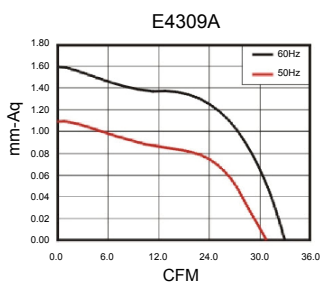
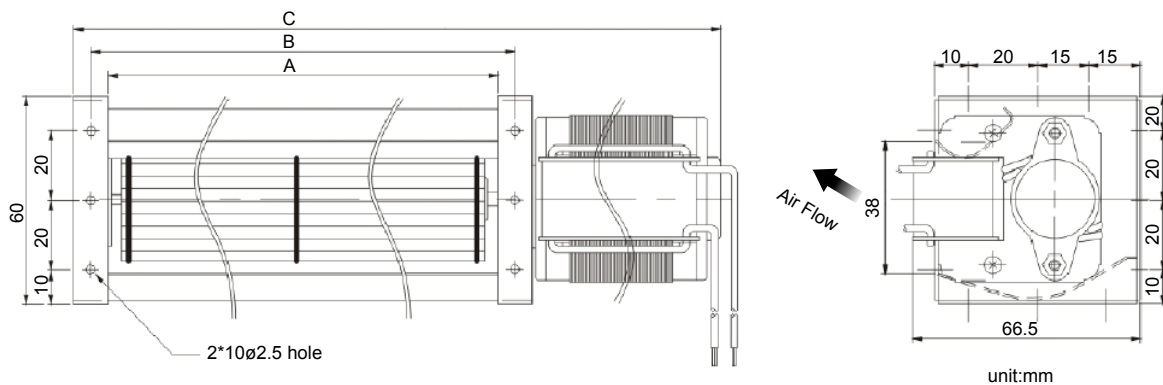
## General Specifications

- Motor : Shaded pole AC motor
- Frame & Impeller : Metal
- Storage temperature : -40° to +75°
- Operating temperature : -10° to +65°



## Major Characteristic Parameters

Model	Size(mm)			Rated Voltage	Rated Frequency	Rated Current	Input Power	Rated Speed	Maximum Air Flow		Maximum Static Pressure		Sound Level	Weight
Part NO.	A	B	C	V	Hz	A	W	RPM	m <sup>3</sup> /min	CFM	mm-Aq	In-H <sub>2</sub> O	dBA	g
CE43090A11	98	108	160	110	60	0.12	9	3000	1.1	38.86	1.2	0.047	38	520
CE43090A22	98	108	160	220	50	0.08	10	2600	0.9	31.80	0.9	0.035	36	520
CE43150A11	160	170	222	110	60	0.13	10	2500	1.5	53.00	1.5	0.059	39	550
CE43150A22	160	170	222	220	50	0.07	11	2500	1.4	49.46	1.2	0.047	38	550
CE43190A11	198	208	264	110	60	0.19	14	2500	2.2	77.7	1.8	0.070	39	650
CE43190A22	198	208	264	220	50	0.08	13	2400	2.1	74.20	1.4	0.055	39	650
CE43240A11	250	260	315	110	60	0.20	15	2300	2.3	81.27	1.8	0.070	41	680
CE43240A22	250	260	315	220	50	0.09	14	2300	2.3	81.27	1.5	0.059	40	680
CE43290A11	300	310	375	110	60	0.26	21	2800	2.7	95.40	1.4	0.055	44	890
CE43290A22	300	310	375	220	50	0.14	19	2550	2.5	88.33	1.5	0.059	41	890
CE43350A11	360	370	435	110	60	0.32	23	2500	3.3	116.60	1.3	0.051	46	920
CE43350A22	360	370	435	220	50	0.15	20	2450	3.2	113.07	1.6	0.062	46	920



# E48 Useries

154mm~384mm

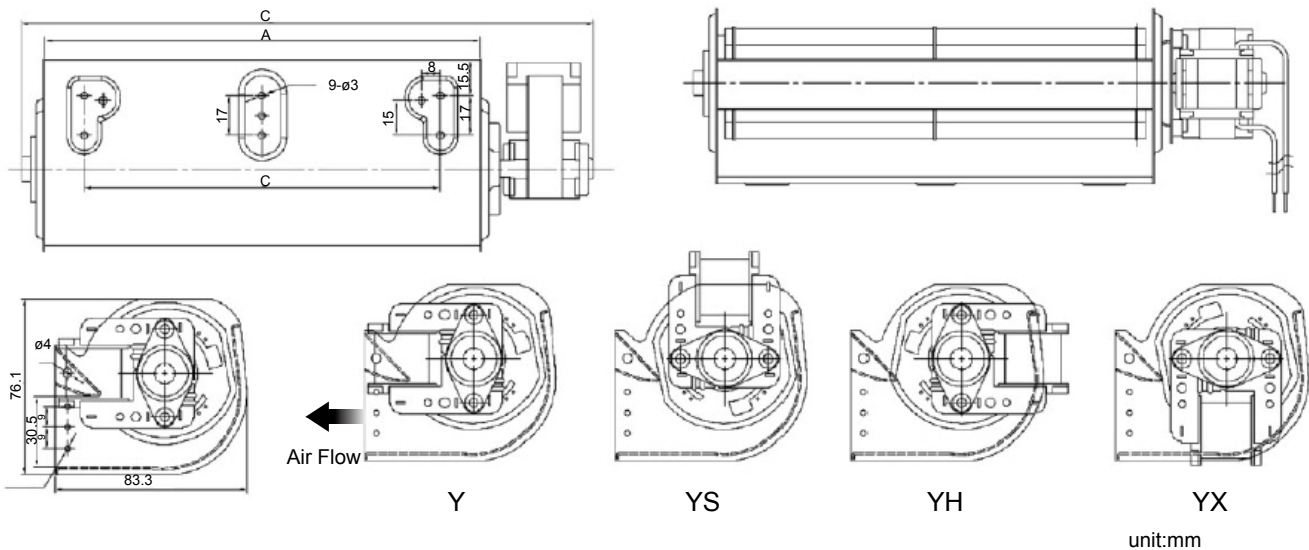
## General Specifications

- Motor : Shaded pole AC motor
- Frame & Impeller : Metal
- Storage temperature : -40° to +75°
- Operating temperature : -10° to +65°



## Major Characteristic Parameters

Model	Size(mm)			Rated Voltage	Rated Frequency	Rated Current	Input Power	Rated Speed	Maximum Air Flow		Maximum Static Pressure		Sound Level	Weight
Part NO.	A	B	C	V	Hz	A	W	RPM	m <sup>3</sup> /min	CFM	mm-Aq	In-H <sub>2</sub> O	dBA	g
CE48180A11	188	154	247	110	60	0.22	11.5	1300	1.06	37.45	1.4	0.055	40	660
CE48180A22	188	154	247	220	50	0.10	12.5	1300	1.06	37.45	1.4	0.055	40	660
CE48250A11	250	216	319	110	60	0.38	22	1600	2.25	79.50	1.6	0.062	46	720
CE48250A22	250	216	319	220	50	0.22	23	1600	2.25	79.50	1.6	0.062	46	720
CE48300A11	300	266	269	110	60	0.41	24	1300	1.78	62.89	1.8	0.070	41	760
CE48300A22	300	266	269	220	50	0.19	23	1300	1.78	62.89	1.8	0.070	41	760
CE48350A11	348	314	417	110	60	0.40	25	1400	2.63	92.93	2.0	0.078	42	790
CE48350A22	348	314	417	220	50	0.22	26	1400	2.63	92.93	2.0	0.078	42	790
CE48420A11	418	384	487	110	60	0.39	24	1300	2.5	88.33	2.2	0.086	48	820
CE48420A22	418	384	487	220	50	0.19	25	1300	2.5	88.33	2.2	0.086	48	820



# E50 F series

108mm~430mm

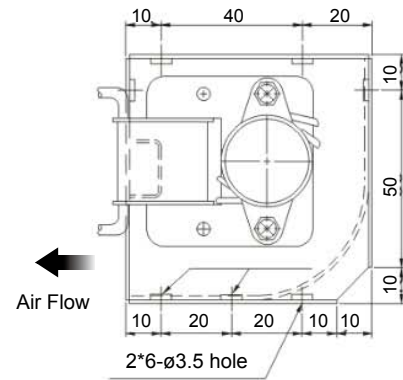
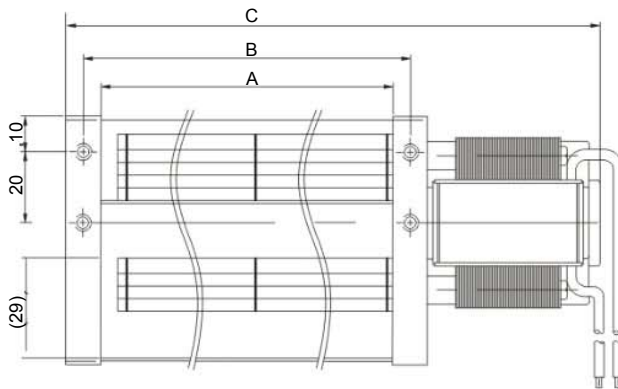
## General Specifications

- Motor : Shaded pole AC motor
- Frame & Impeller : Metal
- Storage temperature : -40° to +75°
- Operating temperature : -10° to +65°

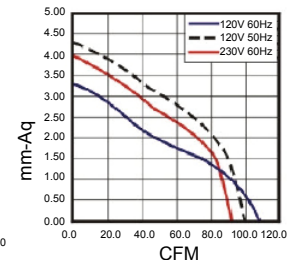
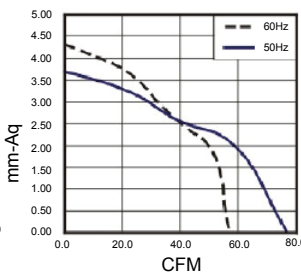
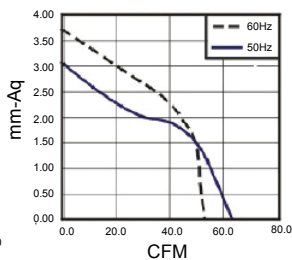
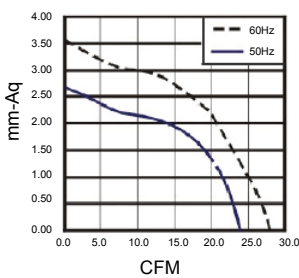


## Major Characteristic Parameters

Model	Size(mm)			Rated Voltage	Rated Frequency	Rated Current	Input Power	Rated Speed	Maximum Air Flow		Maximum Static Pressure		Sound Level	Weight
Part NO.	A	B	C	V	Hz	A	W	RPM	m <sup>3</sup> /min	CFM	mm-Aq	In-H <sub>2</sub> O	dBA	g
CE50090A11	98	108	162	110	60	0.12	10	2650	1.1	38.86	3.6	0.141	39	610
CE50090A22	98	108	162	220	50	0.07	12	2500	1.0	35.33	2.7	0.106	36	610
CE50190A11	198	208	267	110	60	0.21	16	1800	1.7	60.07	4.1	0.161	37	770
CE50190A22	198	208	267	220	50	0.09	14	2100	1.8	63.60	3.1	0.122	41	770
CE50290A11	298	308	377	110	60	0.32	24	2100	2.7	95.40	4.3	0.169	41	1100
CE50290A22	298	308	377	220	50	0.14	21	2250	2.8	98.93	3.1	0.122	44	1100
CE50350A11	358	368	437	110	60	0.33	23	2000	2.9	102.47	4.3	0.169	42	1200
CE50350A22	358	368	437	220	50	0.15	20	2200	3.1	109.54	3.5	0.137	40	1200
CE50420A11	420	430	495	110	60	0.28	24	1300	2.31	81.62	4.1	0.161	50	1350
CE50420A22	420	430	495	220	50	0.25	29	1800	3.23	114.13	3.8	0.149	51	1350



unit:mm



# E50 P series

110mm~432mm

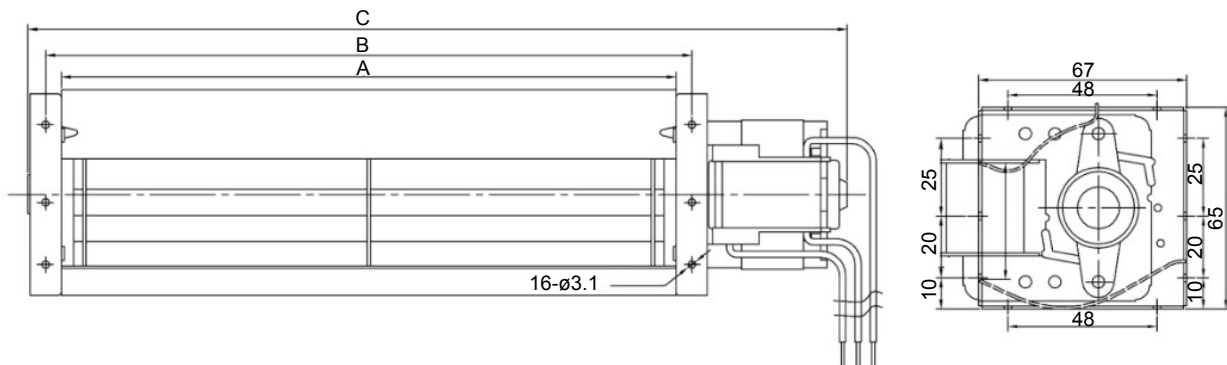
## General Specifications

- Motor : Shaded pole AC motor
- Frame & Impeller : Metal
- Storage temperature : -40° to +75°
- Operating temperature : -10° to +65°



## Major Characteristic Parameters

Model	Size(mm)			Rated Voltage	Rated Frequency	Rated Current	Input Power	Rated Speed	Maximum Air Flow		Maximum Static Pressure		Sound Level	Weight
Part NO.	A	B	C	V	Hz	A	W	RPM	m <sup>3</sup> /min	CFM	mm-Aq	In-H <sub>2</sub> O	dBA	g
CE50090A11	100	110	160	110	60	0.13	9.5	2900	1.0	35.33	1.0	0.039	34	580
CE50090A22	100	110	160	220	50	0.08	12	2660	0.9	31.80	0.8	0.031	33	580
CE50150A11	160	170	225	110	60	0.13	10.5	2100	1.31	46.28	1.2	0.047	36	620
CE50150A22	160	170	225	220	50	0.08	13	2600	1.66	58.65	1.4	0.055	38	620
CE50190A11	200	210	266	110	60	0.19	15	2600	1.6	56.53	1.2	0.047	37	740
CE50190A22	200	210	266	220	50	0.09	13	2500	1.5	53.00	0.9	0.035	36	740
CE50290A11	300	310	375	110	60	0.30	21	2900	2.7	95.40	2.0	0.078	42	1000
CE50290A22	300	310	375	220	50	0.14	18.5	2600	2.6	91.87	1.5	0.059	41	1000
CE50350A11	362	372	437	110	60	0.29	21	2800	2.9	102.47	1.7	0.066	39	1100
CE50350A22	362	372	437	220	50	0.14	19	2550	2.7	95.40	1.6	0.062	38	1100
CE50420A11	422	432	497	110	60	0.28	33	1700	2.25	79.50	1.8	0.070	42	1220
CE50420A22	422	432	497	220	50	0.24	28	2200	3.15	111.30	2.0	0.078	45	1220





# E60 F series

138mm~444mm

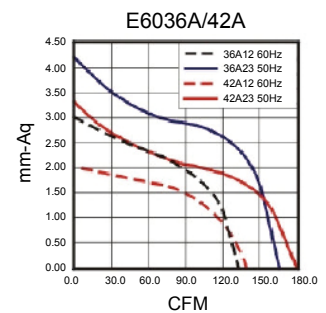
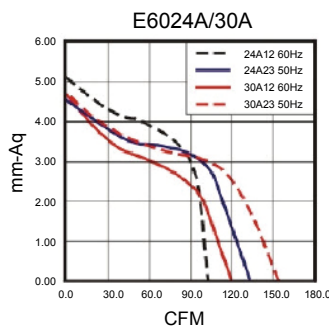
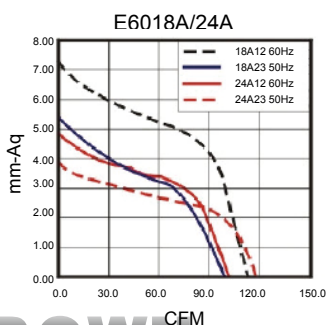
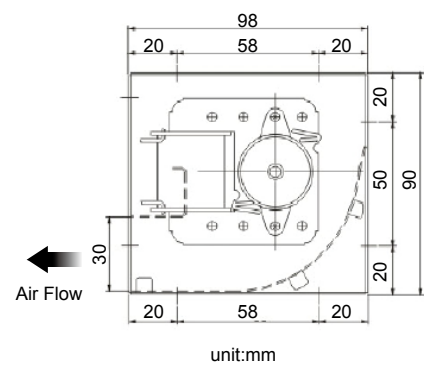
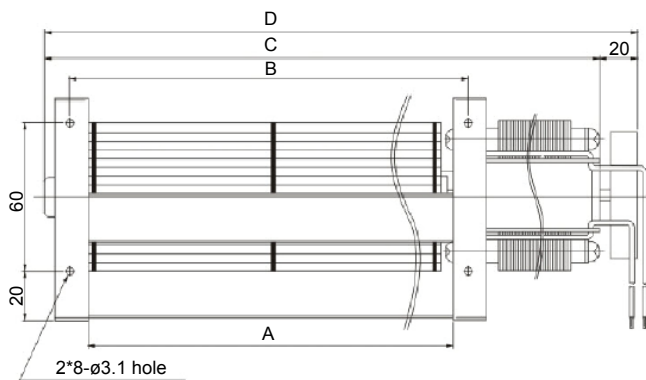
## General Specifications

- Motor : Shaded pole AC motor
- Frame & Impeller : Metal
- Storage temperature : -40° to +75°
- Operating temperature : -10° to +65°



## Major Characteristic Parameters

Model	Size(mm)			Rated Voltage	Rated Frequency	Rated Current	Input Power	Rated Speed	Maximum Air Flow		Maximum Static Pressure		Sound Level	Weight
Part NO.	A	B	C	V	Hz	A	W	RPM	m <sup>3</sup> /min	CFM	mm-Aq	In-H <sub>2</sub> O	dBA	g
CE60120A11	123	138	191	110	60	0.23	18	2350	1.7	60.07	2.7	0.106	43	1200
CE60120A22	123	138	191	220	50	0.12	18	2350	1.7	60.07	2.5	0.098	43	1200
CE60180A11	184	199	162	110	60	0.58	41	2500	2.9	102.47	4.8	0.188	47	1350
CE60180A22	184	199	162	220	50	0.26	32	2500	2.9	102.47	4.0	0.157	47	1350
CE60240A11	306	321	384	110	60	0.59	40	2100	2.9	102.47	3.7	0.145	44	1400
CE60240A22	306	321	384	220	50	0.27	35	2200	3.5	123.67	4.0	0.157	46	1400
CE60300A11	306	321	384	110	60	0.60	41	2000	3.7	130.742	3.4	0.133	44	1500
CE60300A22	306	321	384	220	50	0.30	41	2100	4.0	141.34	3.6	0.141	46	1500
CE60360A11	368	383	446	110	60	0.61	42	1700	3.9	137.80	2.8	0.110	40	1600
CE60360A22	368	383	446	220	50	0.31	42	2000	4.7	166.07	3.5	0.137	46	1600
CE60420A11	429	444	507	110	60	0.62	42	1600	4.8	169.61	2.5	0.098	40	1650
CE60420A22	429	444	507	220	50	0.31	42	1800	5.3	187.27	2.9	0.114	45	1650



# E60 Useries

110mm~430mm

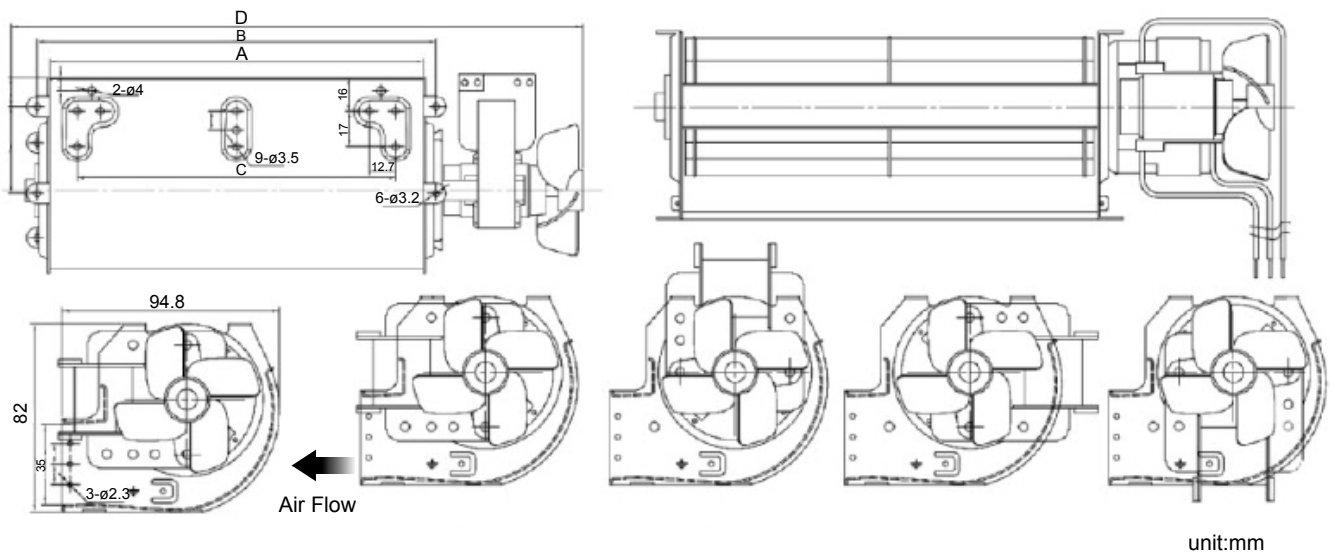
## General Specifications

- Motor : Shaded pole AC motor
- Frame & Impeller : Metal
- Storage temperature : -40° to +75°
- Operating temperature : -10° to +65°



## Major Characteristic Parameters

Model	Size(mm)			Rated Voltage	Rated Frequency	Rated Current	Input Power	Rated Speed	Maximum Air Flow		Maximum Static Pressure		Sound Level	Weight
Part NO.	A	B	C	V	Hz	A	W	RPM	m <sup>3</sup> /min	CFM	mm-Aq	In-H <sub>2</sub> O	dBA	g
CE60090A11	98	110	68	110	60	0.31	23	2550	1.9	67.13	6.2	0.244	43	1200
CE60120A22	98	110	68	220	50	0.15	25	2350	1.9	67.13	6.0	0.236	43	1200
CE60180A11	181	193	154	110	60	0.49	41	2300	3.0	106.0	6.0	0.236	48	1350
CE60180A22	181	193	154	220	50	0.26	30	2300	3.0	106.0	6.0	0.236	48	1350
CE60240A11	242	254	212	110	60	0.60	30	1900	3.3	116.60	5.2	0.204	47	1400
CE60240A22	242	254	212	110	50	0.27	32	1900	3.3	116.60	5.2	0.204	47	1400
CE60300A11	303	315	273	110	60	0.63	31	2000	4.7	166.07	5.4	0.212	46	1500
CE60300A22	303	315	273	220	50	0.32	32	2000	4.7	166.07	5.4	0.212	46	1500
CE60350A11	353	365	323	110	60	0.63	37	2000	4.8	169.61	5.0	0.196	46	1600
CE60350A22	353	365	323	220	50	0.32	39	2000	4.8	169.61	5.0	0.196	46	1600
CE60420A11	418	430	388	110	60	0.68	43	1600	5.2	183.74	4.6	0.181	45	1650
CE60420A22	418	430	388	220	50	0.35	42	1800	5.2	183.74	4.8	0.188	45	1650



# C60 L series

222mm~372mm

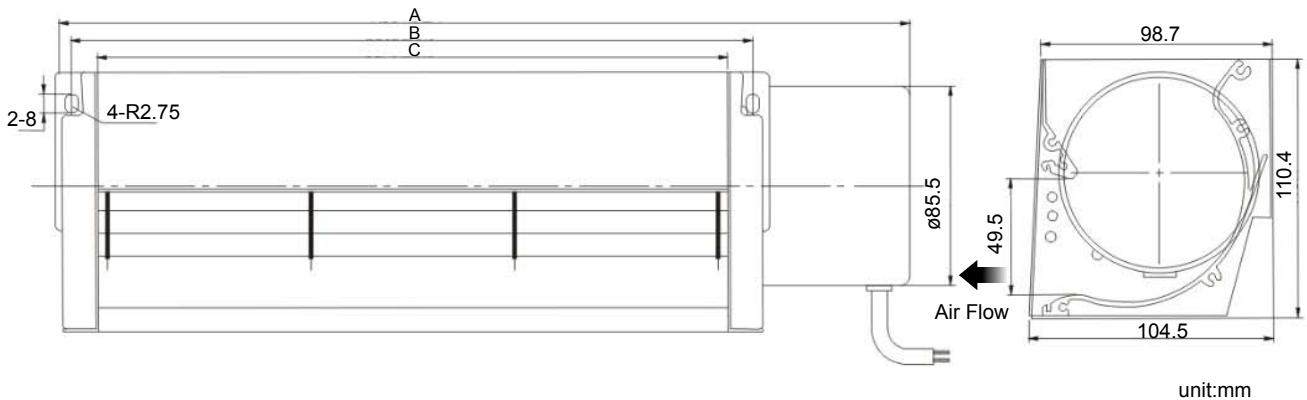
## General Specifications

- Motor : Induction capacitor motor
- Frame & Impeller : Metal
- Storage temperature : -40° to +75°
- Operating temperature : -10° to +65°



## Major Characteristic Parameters

Model	Size(mm)			Rated Voltage	Rated Frequency	Rated Current	Input Power	Rated Speed	Maximum Air Flow		Maximum Static Pressure		Sound Level	Weight
Part NO.	A	B	C	V	Hz	A	W	RPM	m <sup>3</sup> /min	CFM	mm-Aq	In-H <sub>2</sub> O	dBA	g
CC60200A11	200	222	292	110	60	0.32	40	2200	5.5	194.34	7.2	0.283	46	1650
CC60200A22	200	222	292	220	50	0.20	45	2200	5.5	194.34	7.2	0.283	46	1650
CC60270A11	270	292	362	110	60	0.35	42	2650	6.2	219.08	7.5	0.295	50	1900
CC60270A22	270	292	362	220	50	0.22	45	2650	6.2	219.08	7.5	0.295	50	1900
CC60350A11	350	372	442	110	60	0.46	62	2450	6.5	229.68	8.0	0.314	56	2850
CC60350A22	350	372	442	220	50	0.25	55	2450	6.5	229.68	8.0	0.314	56	2850



# C60 F series

321mm~444mm

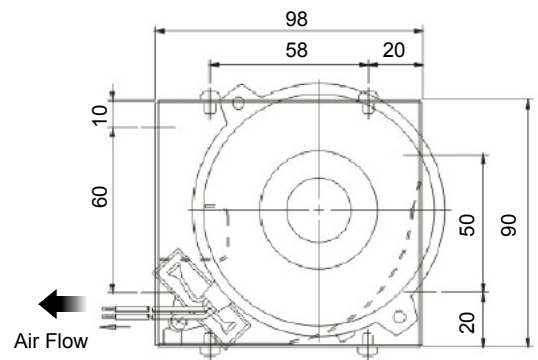
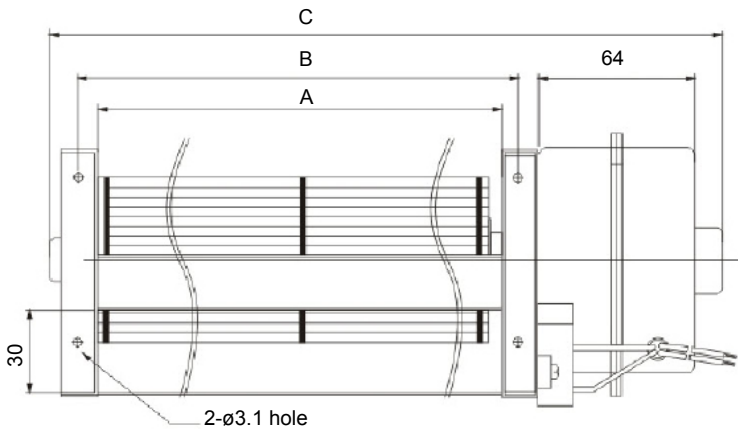
## General Specifications

- Motor : Induction capacitor motor
- Frame & Impeller : Metal
- Storage temperature : -40° to +75°
- Operating temperature : -10° to +65°

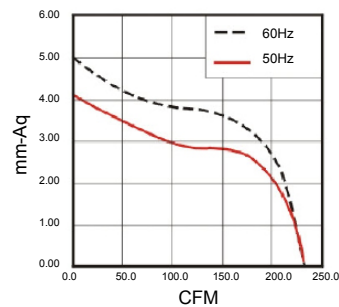
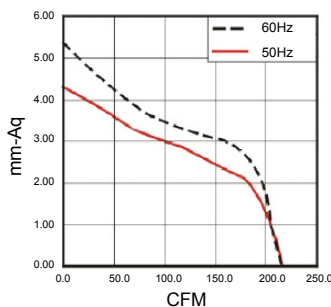
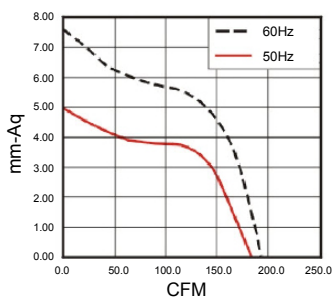


## Major Characteristic Parameters

Model	Size(mm)			Rated Voltage	Rated Frequency	Rated Current	Input Power	Rated Speed	Maximum Air Flow		Maximum Static Pressure		Sound Level	Weight
Part NO.	A	B	C	V	Hz	A	W	RPM	m <sup>3</sup> /min	CFM	mm-Aq	In-H <sub>2</sub> O	dBA	g
CC60300A11	306	321	411	110	60	0.33	37	2800	5.5	194.34	7.4	0.291	55	1640
CC60300A22	306	321	411	220	50	0.14	30	2600	5.2	183.74	5.0	0.196	53	1640
CC60360A11	368	383	473	110	60	0.35	39	2500	6.5	229.68	5.5	0.216	56	1710
CC60360A22	368	383	473	220	50	0.16	34	2500	6.5	229.68	5.5	0.216	56	1710
CC60420A11	429	444	534	110	60	0.36	40	2400	6.8	240.28	4.8	0.188	56	1785
CC60420A22	429	444	534	220	50	0.17	36	2400	6.8	240.28	4.8	0.188	56	1785



unit:mm



# E65 Useries

130mm~372mm



## General Specifications

- Motor : Shaded pole AC motor
- Frame & Impeller : Metal
- Storage temperature : -40° to +75°
- Operating temperature : -10° to +65°

## Major Characteristic Parameters

Model	Size(mm)			Rated Voltage	Rated Frequency	Rated Current	Input Power	Rated Speed	Maximum Air Flow		Maximum Static Pressure		Sound Level	Weight
Part NO.	A	B	C	V	Hz	A	W	RPM	m <sup>3</sup> /min	CFM	mm-Aq	In-H <sub>2</sub> O	dBA	g
CE65120A11	120	130	90	110	60	0.31	21	1600	2.0	70.67	6.0	0.236	40	1420
CE65120A22	120	130	90	220	50	0.14	19	1600	2.0	70.67	6.0	0.236	40	1420
CE65190A11	190	200	160	110	60	0.30	22	1100	2.2	77.73	2.6	0.102	43	1530
CE65180A22	190	200	160	220	50	0.16	20	1100	2.2	77.73	2.6	0.102	43	1530
CE65240A11	242	252	192	110	60	0.65	32	1500	3.9	137.80	3.8	0.149	45	1690
CE65240A22	242	252	192	110	50	0.33	30	1500	3.9	137.80	3.8	0.149	45	1690
CE65300A11	303	312	272	110	60	0.68	41	1300	4.5	159.01	4.2	0.165	45	1760
CE65300A22	303	312	272	220	50	0.35	40	1300	4.5	159.01	4.2	0.165	45	1760
CE65360A11	362	372	332	110	60	0.91	51	1300	5.3	187.27	5.0	0.196	47	1820
CE65360A22	362	372	332	220	50	0.45	52	1300	5.3	187.27	5.0	0.196	47	1820
CE65420A11	422	432	382	110	60	0.99	59	1300	5.2	183.74	6.3	0.248	50	1850
CE65420A22	422	432	382	220	50	0.55	58	1300	5.2	183.74	6.3	0.248	50	1850

